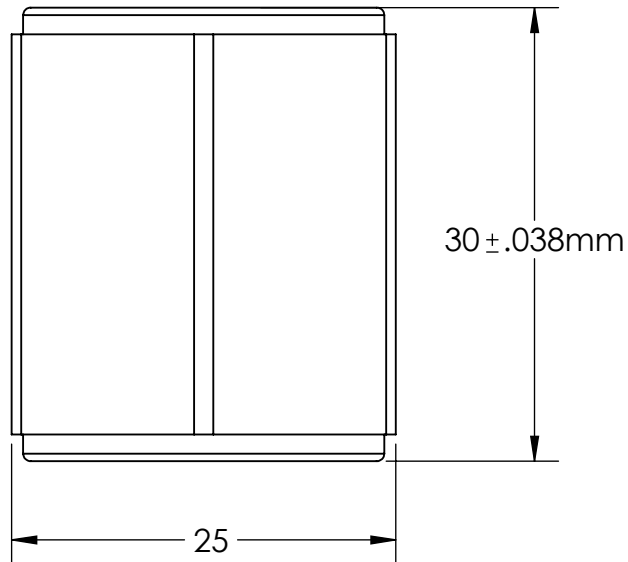


SEE CHART FOR
THREAD OPTIONS



OVER DISTANCE SPACING
(CREEP DISTANCE): 25mm

MATERIAL	THREAD SIZE
STEEL	M6 X 1.0
STEEL	M8 X 1.25

CONFIDENTIAL
This print and the specifications are the property of Mar-Bal Inc. and has been issued with the understanding that it will not be reproduced, revealed to or used for manufacture for others, and will be returned upon request.

DATE: 11/03/2015



MAR-BAL, Incorporated
5400 Reserve Way
Dublin, VA 24084
www.mar-bal.com

TITLE

METRIC SERIES INSULATOR

PART NUMBER:

ISO-MBI-30XX

SHEET 1 OF 1

SUGGESTED INDOOR RATING:

1000V

SCALE 1.000