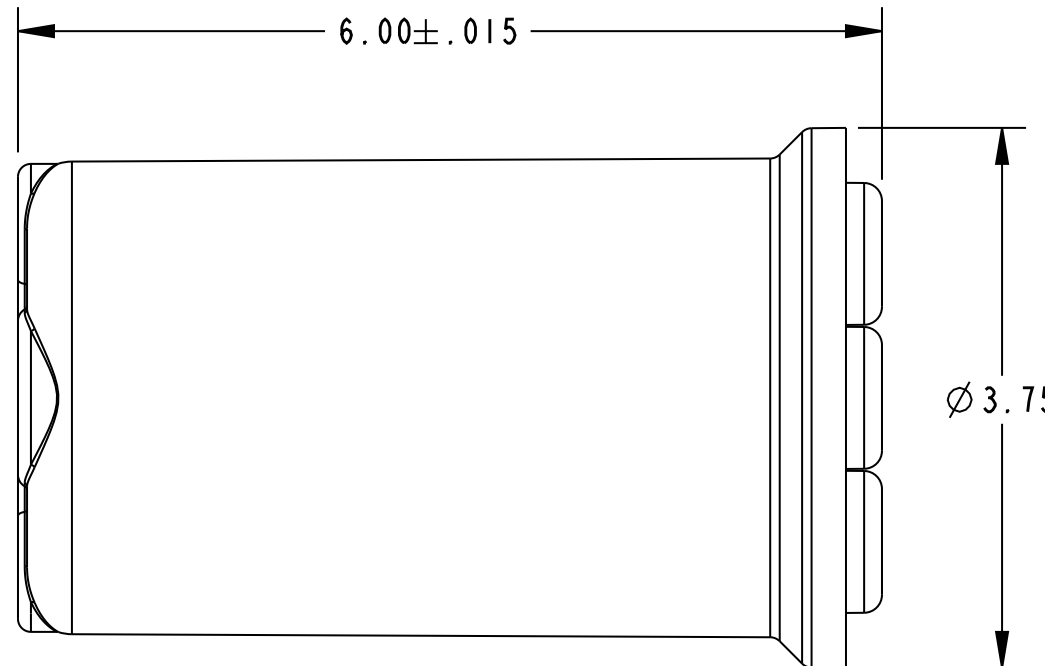
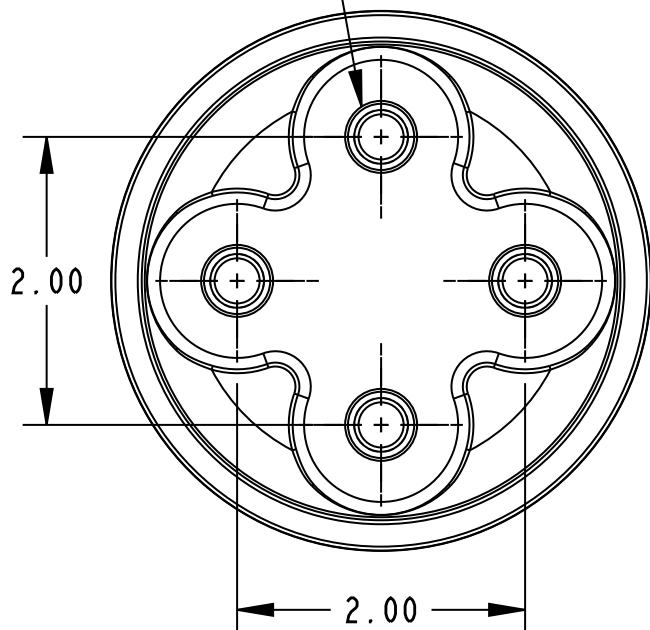




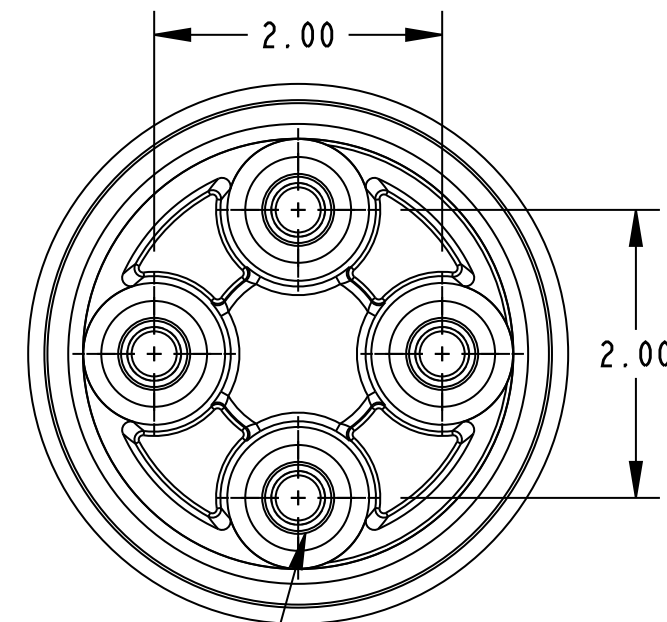
SCALE 0.500

SEE TABLE FOR INSERT SIZES (TOP)



4X4 CONFIGURATION

SEE TABLE FOR INSERT SIZES (BOTTOM)



OVER SURFACE SPACING (CREEP DISTANCE) = 7.00"

BRASS INSERTS AND OTHER INSERT SIZES AND COMBINATIONS ARE AVAILABLE UPON SPECIAL REQUEST

AVAILABLE THREADS

UNC THREAD STYLES

PART NUMBER	BOTTOM INSERT SIZE	TOP INSERT SIZE	MATERIAL
6600-S10/81 4X4	3/8-16 X 5/8		STEEL
6600-S8/S10 4X1	5/8-11 X 3/4	3/8-16 X 5/8	STEEL
6600-S6/S10 2X1	1/2-13 X 5/8	3/8-16 X 5/8	STEEL
6600-S6/S10 4X1	1/2-13 X 5/8	3/8-16 X 5/8	STEEL
6600-S10 2X2	3/8-16 X 5/8	3/8-16 X 5/8	STEEL
6600-S6/S10 4X4X1	1/2-13 X 5/8	3/8-16 X 5/8	STEEL
6600-S6/S10/S81	1/2-13 X 5/8	3/8-16 X 5/8	STEEL



MAR-BAL, Incorporated
 5400 Reserve Way
 Dublin, VA 24084
 www.mar-bal.com

CONFIDENTIAL
 This print and the specifications are the property of Mar-Bal Inc. and has been issued with the understanding that it will not be reproduced, revealed to or used for manufacture for others, and will be returned upon request.

DATE: 15-AUG-2008

TITLE

6000 SERIES INSULATORS

PART NUMBER:

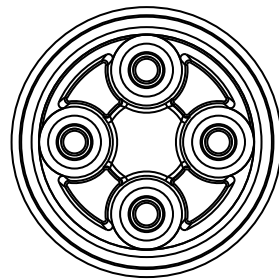
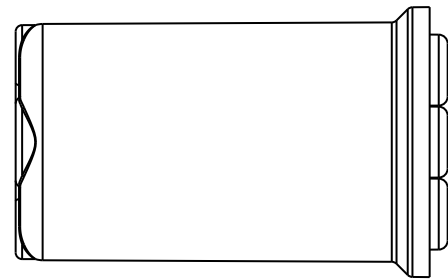
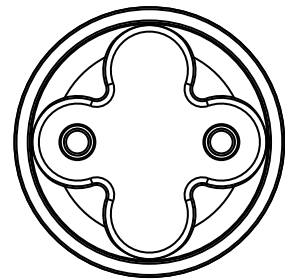
6600-XX

SUGGESTED INDOOR RATING:

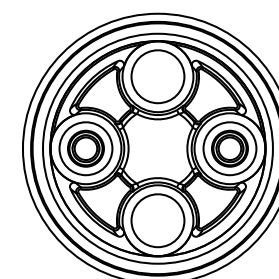
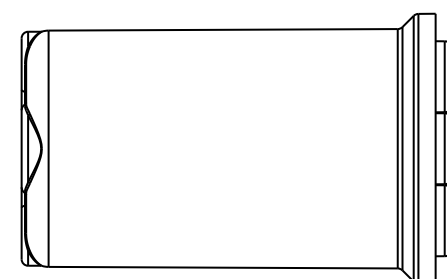
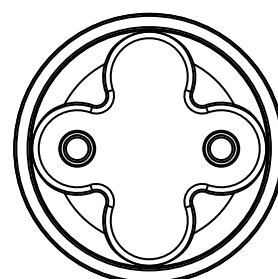
15.0 kV

SHEET 1 OF 2

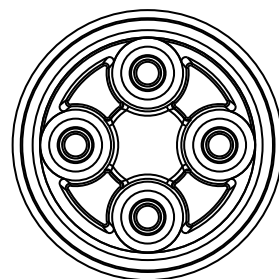
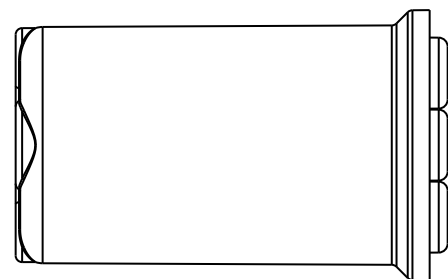
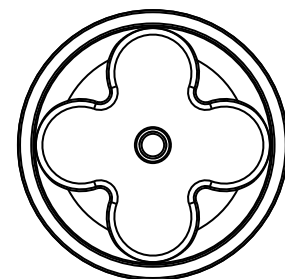
SCALE 1.000



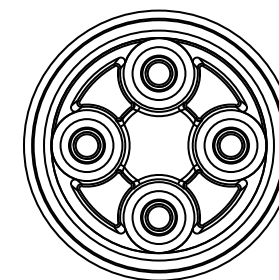
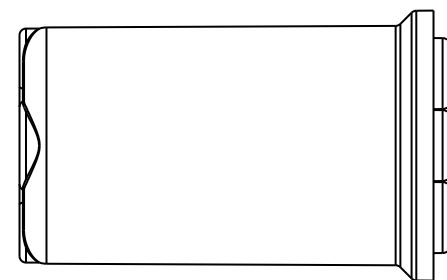
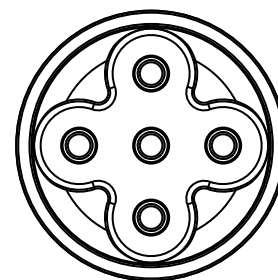
4X2 CONFIGURATION



2X2 CONFIGURATION



4X1 CONFIGURATION



4X4X1 CONFIGURATION



MAR-BAL, Incorporated
5400 Reserve Way
Dublin, VA 24084
www.mar-bal.com

CONFIDENTIAL
This print and the specifications are the property of Mar-Bal Inc. and has been issued with the understanding that it will not be reproduced, revealed to or used for manufacture for others, and will be returned upon request.

DATE: 15-AUG-2008

TITLE
6000 SERIES INSULATORS

PART NUMBER:	SUGGESTED INDOOR RATING:
6600-XX	15.0 kV

SHEET 2 OF 2	SCALE 0.375
--------------	-------------