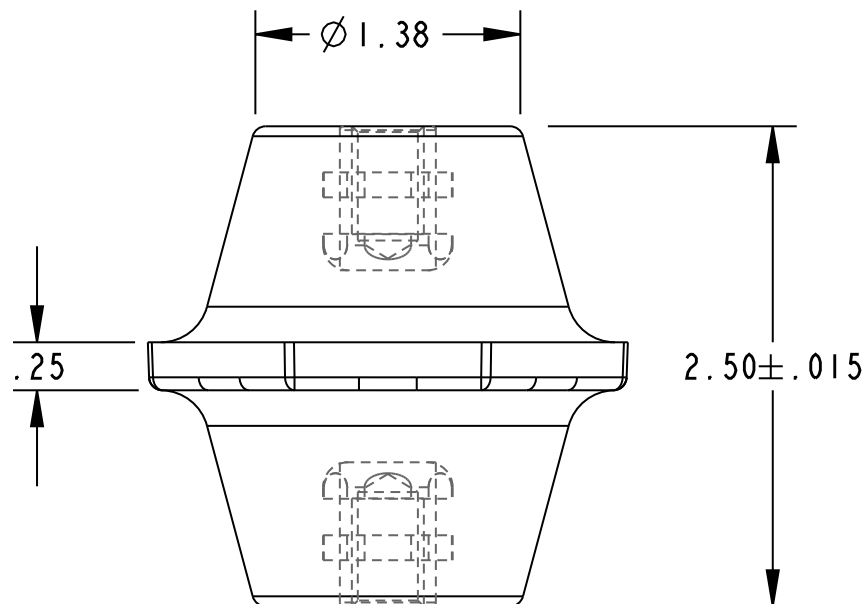
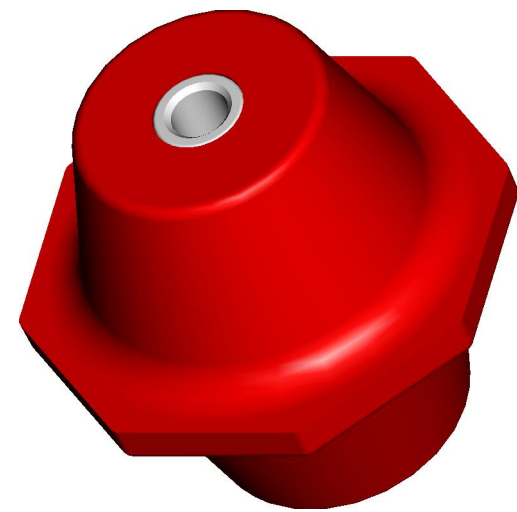


SEE TABLE FOR INSERT SIZES



OVER SURFACE SPACING (CREEP DISTANCE) = 3.00"

AVAILABLE THREADS

UNC THREAD STYLES

PART NUMBER	INSERT SIZE	MATERIAL
5250-A5	3/8-16 X 9/16	ALUMINUM
5250-S5	3/8-16 X 9/16	STEEL
5250-A6	1/2-13 X 5/8	ALUMINUM
5250-S6	1/2-13 X 5/8	STEEL
5250-S10	3/8-16 X 5/8	STEEL

METRIC THREAD STYLES

5250-A5/M10	M10 X 1.50 X 14.2	ALUMINUM
5250-S5/M10	M10 X 1.50 X 14.2	STEEL
5250-A6/M12	M12 X 1.75 X 15.8	ALUMINUM
5250-S6/M12	M12 X 1.75 X 15.8	STEEL
5250-S10/M10	M10 X 1.50 X 15.8	STEEL

BRASS INSERTS AND OTHER INSERT SIZES AND COMBINATIONS ARE AVAILABLE UPON SPECIAL REQUEST

CONFIDENTIAL
This print and the specifications are the property of Mar-Bal Inc. and has been issued with the understanding that it will not be reproduced, revealed to or used for manufacture for others, and will be returned upon request.

DATE: 04-AUG-2008



MAR-BAL, Incorporated
5400 Reserve Way
Dublin, VA 24084
www.mar-bal.com

TITLE 5000 SERIES OCTAGON INSULATOR	
PART NUMBER: 5250-XX	SUGGESTED INDOOR RATING: 3.2 kV
SHEET 1 OF 1	SCALE 1.000